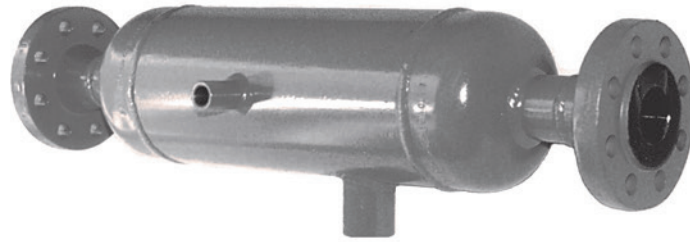




WINSTON / ROYAL GUARD CORPORATION

Type 120 Directional Blade™ Separator



The Winston/Royal Guard separator with the Directional Blade™ internal is an efficient way to remove condensate, oil, water, pipe scale, rust, and dust from a gas, air, or steam process to protect gas and air compressors, steam turbines, and other equipment. The design of our internal allows for a more compact vessel, making it an excellent choice for offshore platforms or other applications where space is limited. Refineries, Petrochemical plants, and gas plants also benefit from the separator's compact design.

How it works: Gas enters the separator and passes through the Directional Blade™ internal which imparts a spin to the gas, forcing any liquids or solids to the vessel wall through the process of centrifugal force. Liquids, along with any solids, spin along the vessel wall and move toward the drain. These liquid particles become enlarged through the process of coalescing as they move along the vessel wall, assisting the separation process. Velocity control is incorporated into the design of the Directional Blade™ internal for effective separation. Clean, dry gas exits the separator outlet.

Benefits:

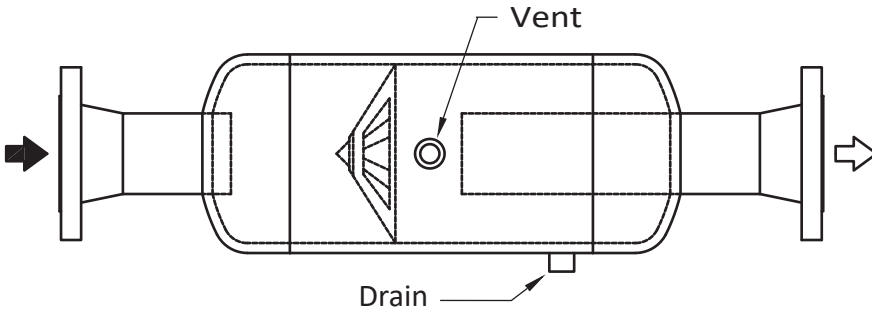
- Removes 99.9% of 8-10 micron and larger size liquid and solid particles.
- Extends the time between changes of filters in filter-separators and filtration units downstream.
- Excellent for separation of paraffin. Hand holes are added for steam cleaning.
- For geothermal steam applications, small stones will be separated along with liquids.
- Low pressure drop.

ASME Code Certified: Winston/Royal Guard is an ASME Section VIII, Division 1 Code certified manufacturing facility with National Board certification. Capabilities include all types of non-destructive testing with a rigidly controlled Quality Control system.

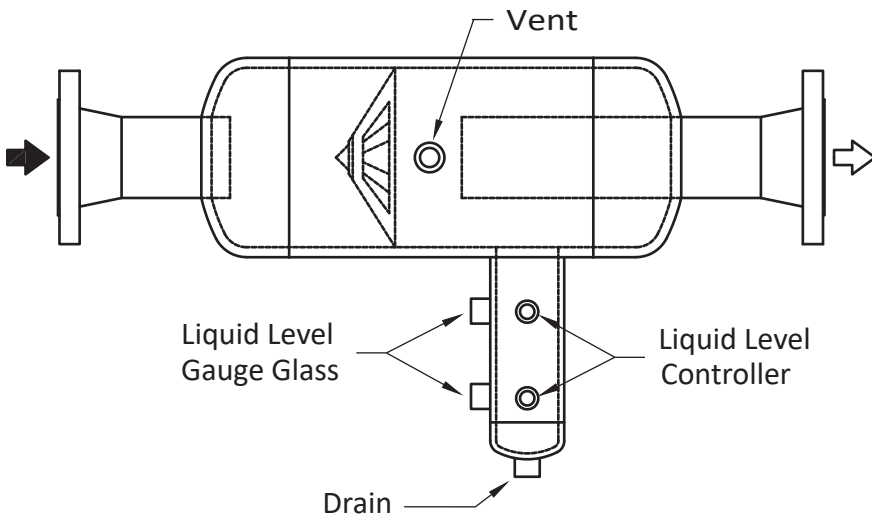


Type 120 Directional Blade™ Separator

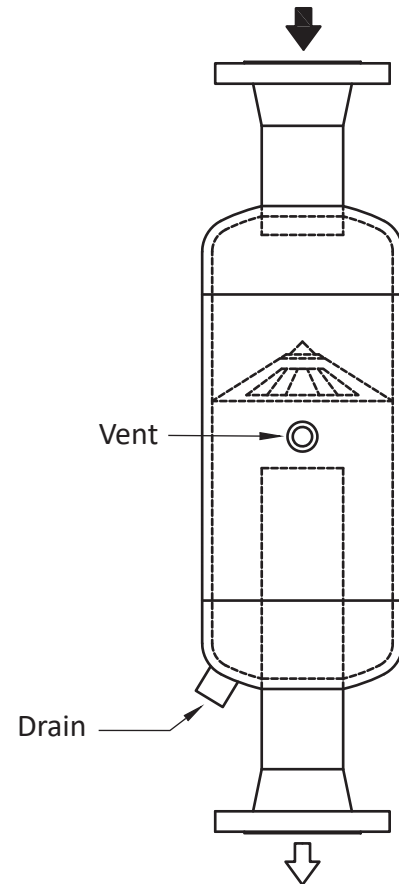
For Gas • Steam • Air



Type 120H Horizontal Flow



Type 120H-B Horizontal Flow
With Boot for Gas Service



Type 120D Downflow

Specifications are subject to change without notice. 8-24-2017

WINSTON / ROYAL GUARD CORPORATION

P. O. Box 1145 • White Oak, Texas 75693 USA

Phone (800) 527-8465 • (903) 757-7341 • Fax (903) 759-6986

Winston-RoyalGuard.com • e-mail: sales@winston-royalguard.com

Copyright © 2017 Winston/Royal Guard Corporation. All rights reserved