



WINSTON / ROYAL GUARD CORPORATION

Type 57 Fabricated “Y” Strainers

The Winston/Royal Guard **Type 57 “Y” strainers** are usually smaller and lighter in weight than other types of fabricated inline strainers. “Y”, or Wye, strainers are used to protect pumps, compressors, valves, and downstream equipment by removing sand, dirt, pipe scale, grit, welding beads and other solids from liquids and gasses. The Y strainer can be manufactured with longer face-to-face dimensions to match customer piping.



Applications include process gas, chemicals, hydrocarbons, process liquids, process water, steam, and others for the refining, chemical, petrochemical, power, pulp and paper, and other industries.

Standard material for the body and flanges is carbon steel with 304 stainless steel basket (carbon steel optional). Available materials for body and flanges are 300 series stainless steels (all or wetted parts), alloy 20, monel 400, nickel 200, hastelloy B and C276, inconel, and incoloy. The basket can be manufactured in any of these materials.

Internal perforated baskets are manufactured from heavy gauge materials and seam welded for maximum protection.

A complete selection of perforated metal and wire cloth is available for various openings and retention requirements. Typical basket openings are 80 mesh (0.0070” opening) for gas service, 40 mesh (0.0150” opening) for steam, and perforated with 1/8” diameter holes on 3/16” centers for process liquids. Most wire mesh sizes will have perforated support.

The basket access cover is available as a bolted blind flange with lifting handle or davit, or a quick-opening closure for easier and faster access for basket cleaning.

Options include lifting eye(s), differential pressure connections, vent, and other customer requirements. Inlet/outlet styles include flanged or butt weld.

Manufacturing codes for “Y” strainers include ASME Section VIII, Division 1, ASME B31.3, B31.4, B31.8, B31.12, or in accordance with customer specifications.

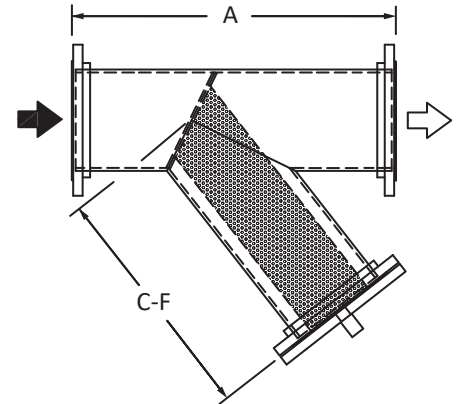


WINSTON / ROYAL GUARD CORPORATION

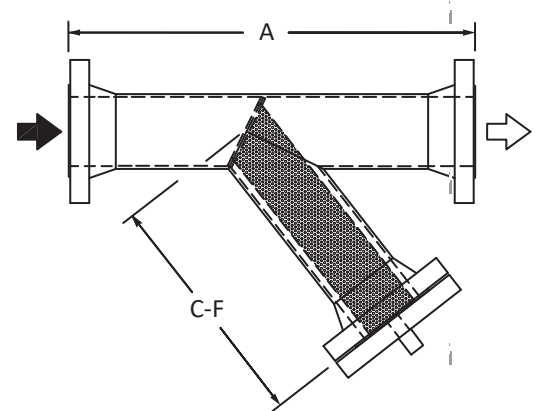
Type 57 Fabricated "Y" Strainers

SIZE	RATING	SLIP-ON	SLIP-ON	WELD NECK	WELD NECK
		FLANGES	FLANGES	FLANGES	FLANGES
		A	C-F	A	C-F
2	150	8-1/2	9	19	8
	300	9	9-1/2	19	8
	600	11	10	20-1/2	9
2-1/2	150	10-1/16	10	21	9
	300	10-11/16	11	21	9
	600	12	12	22-1/2	10
3	150	11-7/8	11	21	10
	300	12-9/16	12	21	10
	600	14	12-1/2	22-1/2	11
4	150	14-1/4	12	26	12
	300	14-5/8	14	26	12
	600	17-15/16	15	28-1/2	13-1/2
6	150	18-5/8	14-1/2	30	16
	300	19-3/4	16-1/2	31	16-1/2
	600	25-5/8	19	33	17-1/2
8	150	24	18	37	20
	300	25	20	38	20-1/2
	600	31-3/4	22	40	21-1/2
10	150	27-5/8	20-1/2	46	23
	300	29-1/8	22-1/2	47	23-1/2
	600	37-11/16	26	50-1/2	25-1/2
12	150	32-1/4	24	51	26
	300	33-3/4	26	52	26-1/2
	600	45-1/2	28	55	28
14	150	37-1/4	25-1/2	56	29
	300	38-3/4	28	57	29-1/2
	600	44-1/2	30	59-1/2	31
16	150	42-3/8	28-1/2	62	32
	300	44	31	63-1/2	33
	600	47-1/2	33	66-1/2	34-1/2
18	150	46-1/8	29-3/4	68	36
	300	47-3/4	32	69-1/2	37
	600	58	34	72	38
20	150	54-1/2	32	73	39
	300	56	34	74-1/2	40
	600	67	36	77	41
24	150	66-1/2	36	80	43
	300	71	42	81-1/2	44
	600	88	50	83	45

Type 57 "Y" with Slip-on Flanges



Type 57 "Y" with Weld Neck Flanges



Dimensions are in inches. Tolerance is plus or minus 1/8". The standard strainer basket is perforated with 1/8" diameter holes on 3/16" centers.

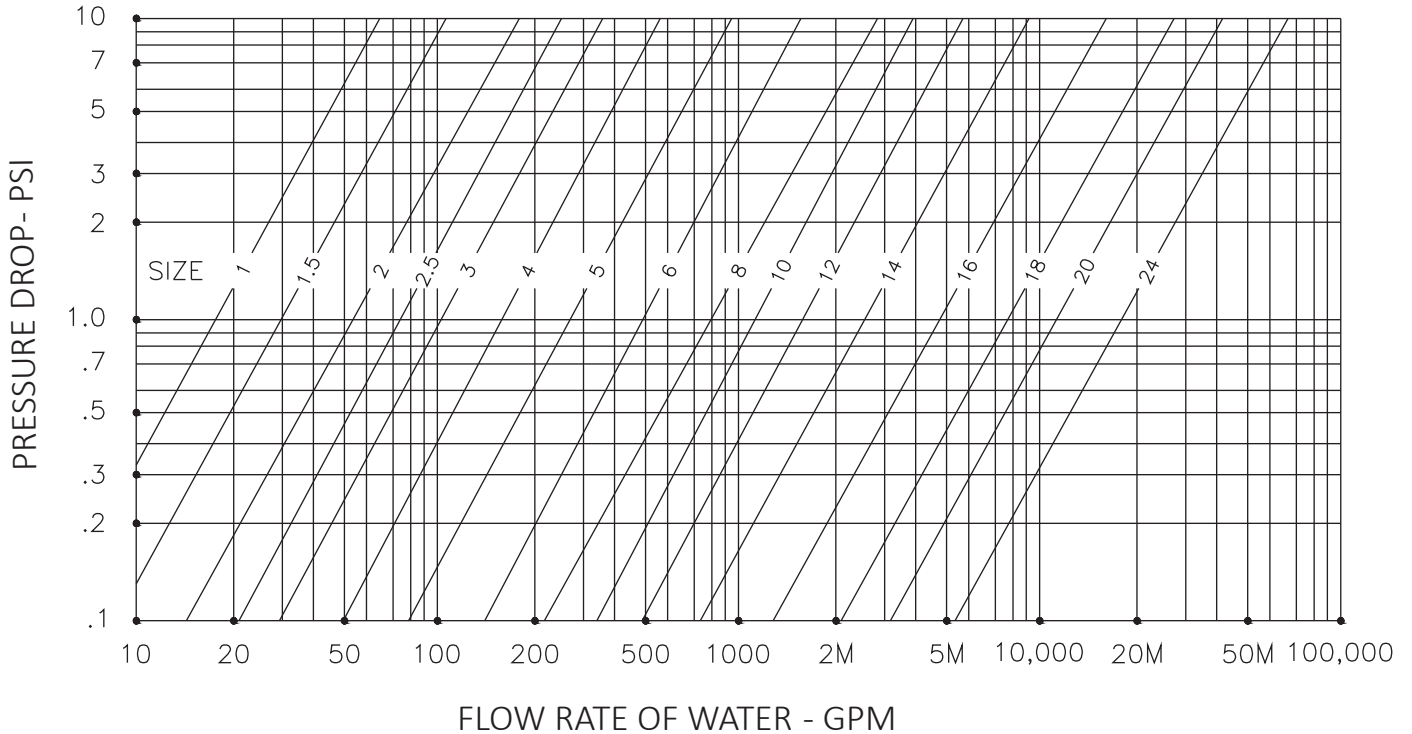
Larger sizes are available. Contact factory for dimensional details.



Type 57 Fabricated "Y" Strainers

PRESSURE DROP

CLEAN PERFORATED BASKET WITH 1/8" DIAMETER HOLES



CORRECTION FACTOR

FOR LIQUIDS MORE VISCOUS THAN WATER OR WHERE A WIRE LINER IS ADDED, MULTIPLY PRESSURE DROP IN CHARTS BY:

VISCOSITY (SSU)	PERFORATED 1/8" DIA. HOLES	PERFORATED WITH WIRE CLOTH		
		40 MESH	60 MESH	80 MESH
30	1.00	1.32	1.53	1.62
270	1.30	1.61	1.83	2.00
385	1.44	1.76	2.00	2.20
500	1.58	1.92	2.13	2.41
1000	1.66	2.22	2.41	2.63
2000	1.86	2.41	2.72	2.91

FOR WATER USE 30 SSU

Specifications are subject to change without notice. 12-21-2017

WINSTON / ROYAL GUARD CORPORATION

P. O. Box 1145 • White Oak, Texas 75693 USA

Phone (800) 527-8465 • (903) 757-7341 • Fax (903) 759-6986

Winston-RoyalGuard.com • e-mail: sales@winston-royalguard.com

Copyright © 2017 Winston/Royal Guard Corporation. All rights reserved