



# WINSTON / ROYAL GUARD CORPORATION

## *Bridas Ciegas y Anillos de Goteo*

Las Bridas Ciegas se utilizan para aislar una sección de línea entre una válvula y una vasija o otro equipo, típicamente para mantenimiento o reemplazo. La brida ciega de la figura 8, o ciega de espectáculo, es un ensamblaje de una pieza o soldado con un lado en blanco y un lado espaciador. Con este tipo de ciega su ubicación se reconoce fácilmente en el recorrido de la tubería y si la línea está "abierta" o "bloqueada".



Figura 8 Ciega de espectáculo



Figura 7 Ciego de Goteo



Figura 6A  
Disco Ciego



Figura 6B  
Ciego Anillo

El disco ciego de la figura 6A y el disco Anillo de la figura 6B son similares al ciego de forma de 8, excepto que está hecho en dos piezas y con un mango que sobresale de la brida asociada para su identificación. Estos pueden ser muchas veces más fáciles de manejar que el ciego de la figura 8 debido a consideraciones de peso. Los tamaños más grandes se suministran con anillos de elevación.

Los anillos de goteo de la figura 7 son para la instalación permanente en una línea de tal manera que se pueda drenar antes de dar servicio al equipo asociado. También se pueden utilizar para la toma de muestras.

Estos artículos están disponibles en acabado de molino, acabado maquinado, o junta tipo anillo hembra (RTJ). No se recomienda el diseño de RTJ macho debido a la posibilidad de que se dañe el revestimiento mecanizado durante la manipulación y instalación.

Los índices de presión para las bridas ciegas y los anillos de son de 150# a 2500#. Las dimensiones de las ciegas y los espaciadores cumplen con la norma ASME B16.48.

Las bridas ciegas y los anillos de goteo están disponibles en muchos materiales, incluyendo acero al carbono, aceros inoxidables y varias aleaciones.



# WINSTON / ROYAL GUARD CORPORATION

## Bridas Ciegas - Cara con Anillo de Hembra (RTJ)

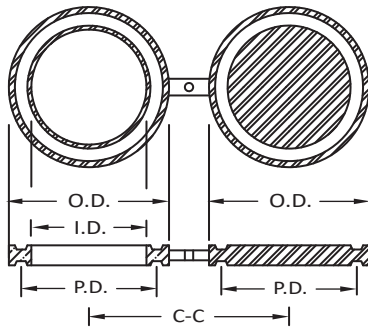


Figura 8 Ciega de espectáculo

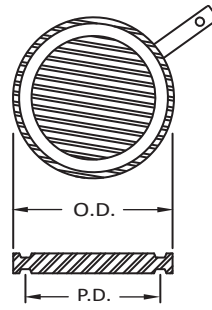


Figura 6A  
Disco Ciego

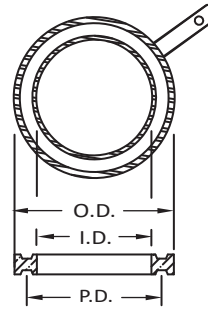
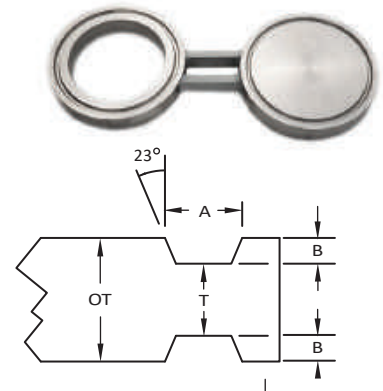


Figura 6B  
Ciego Anillo



Tamaño	150# Anillo de Hembra (RTJ)								300# Anillo de Hembra (RTJ)							
	I.D.	O.D.	C-C	P.D.	A	B	T	OT	I.D.	O.D.	C-C	P.D.	A	B	T	OT
1	1-1/4	2-1/2	4-1/2	1-7/8	11/32	1/4	1/4	3/4	1-1/4	2-3/4	5	2	11/32	1/4	1/4	3/4
1-1/2	1-7/8	3-1/4	5-1/2	2-9/16	11/32	1/4	1/4	3/4	1-7/8	3-9/16	6	2-11/16	11/32	1/4	3/8	7/8
2	2-3/8	4	6	3-1/4	11/32	1/4	1/4	3/4	2-3/8	4-1/4	7	3-1/4	15/32	5/16	3/8	1
2-1/2	2-7/8	4-3/4	7	4	11/32	1/4	3/8	7/8	2-7/8	5	8	4	15/32	5/16	1/2	1-1/8
3	3-1/2	5-1/4	8	4-1/2	11/32	1/4	3/8	7/8	3-1/2	5-3/4	8-1/2	4-7/8	15/32	5/16	1/2	1-1/8
4	4-1/2	6-3/4	9-1/2	5-7/8	11/32	1/4	3/8	7/8	4-1/2	6-7/8	10	5-7/8	15/32	5/16	5/8	1-1/4
6	6-5/8	8-5/8	11-1/2	7-5/8	11/32	1/4	1/2	1	6-5/8	9-1/2	12-1/2	8-5/16	15/32	5/16	3/4	1-3/8
8	8-5/8	10-3/4	14	9-3/4	11/32	1/4	5/8	1-1/8	8-5/8	11-7/8	15	10-5/8	15/32	5/16	1	1-5/8
10	10-3/4	13	16-1/2	12	11/32	1/4	3/4	1-1/4	10-3/4	14	18	12-3/4	15/32	5/16	1-1/8	1-3/4
12	12-3/4	16	19-1/2	15	11/32	1/4	7/8	1-3/8	12-3/4	16-1/4	20-1/2	15	15/32	5/16	1-3/8	2
14	14	16-3/4	21	15-5/8	11/32	1/4	7/8	1-3/8	14	18	22-1/2	16-1/2	15/32	5/16	1-1/2	2-1/8
16	16	19	23	17-7/8	11/32	1/4	1	1-1/2	16	20	25	18-1/2	15/32	5/16	1-5/8	2-1/4
18	18	21-1/2	25	20-3/8	11/32	1/4	1-1/8	1-5/8	18	22-5/8	27-1/2	21	15/32	5/16	1-3/4	2-3/8
20	20	23-1/2	28	22	11/32	1/4	1-1/8	1-5/8	20	25	30	23	17/32	3/8	2	2-3/4
24	24	28	32-1/2	26-1/2	11/32	1/4	1-3/8	1-7/8	24	29-1/4	35	27-1/4	21/32	7/16	2-1/4	3-1/8

Tamaño	600# Anillo de Hembra (RTJ)								900# Anillo de Hembra (RTJ)							
	I.D.	O.D.	C-C	P.D.	A	B	T	OT	I.D.	O.D.	C-C	P.D.	A	B	T	OT
1	1-1/4	2-3/4	5	2	11/32	1/4	3/8	7/8	1-1/4	2-3/8	5-1/2	2	11/32	1/4	3/8	7/8
1-1/2	1-7/8	3-9/16	6	2-11/16	11/32	1/4	3/8	7/8	1-7/8	3-5/8	6-1/2	2-11/16	11/32	1/4	1/2	1
2	2-3/8	4-1/4	7	3-1/4	15/32	5/16	1/2	1-1/8	2-3/8	4-7/8	8	3-3/4	15/32	5/16	5/8	1-1/4
2-1/2	2-7/8	5	8	4	15/32	5/16	5/8	1-1/4	2-7/8	5-3/8	8-1/2	4-1/4	15/32	5/16	3/4	1-3/8
3	3-1/2	5-3/4	8-1/2	4-7/8	15/32	5/16	5/8	1-1/4	3-1/2	6-1/8	9	4-7/8	15/32	5/16	3/4	1-3/8
4	4-1/2	6-7/8	10-1/2	5-7/8	15/32	5/16	3/4	1-3/8	4-1/2	7-1/8	10-1/2	5-7/8	15/32	5/16	1	1-5/8
6	6-5/8	9-1/2	13-1/2	8-5/16	15/32	5/16	1-1/8	1-3/4	6-5/8	9-1/2	14	8-5/16	15/32	5/16	1-1/4	1-7/8
8	8-5/8	11-7/8	16	10-5/8	15/32	5/16	1-3/8	2	8-5/8	12-1/8	17	10-5/8	15/32	5/16	1-5/8	2-1/4
10	10-3/4	14	18-1/2	12-3/4	15/32	5/16	1-5/8	2-1/4	10-3/4	14-1/4	20	12-3/4	15/32	5/16	1-7/8	2-1/2
12	12-3/4	16-1/4	20-1/2	15	15/32	5/16	1-7/8	2-1/2	12-3/4	16-1/2	22	15	15/32	5/16	2-1/4	2-7/8
14	14	18	23	16-1/2	15/32	5/16	2	2-5/8	14	18-3/8	24	16-1/2	21/32	7/16	2-3/8	3-1/4
16	16	20	25-1/2	18-1/2	15/32	5/16	2-1/4	2-7/8	16	20-5/8	26	18-1/2	21/32	7/16	2-3/4	3-5/8
18	18	22-5/8	28	21	15/32	5/16	2-1/2	3-1/8	18	23-3/8	29	21	25/32	1/2	3	4
20	20	25	31	23	17/32	3/8	2-3/4	3-1/2	20	25-1/8	32	23	25/32	1/2	3-3/4	4-3/8
24	24	29-1/2	35	27-1/4	21/32	7/16	3-1/4	4-1/8	24	30-3/8	38	27-1/4	1-1/16	5/8	4	5-1/4

Tamaño	1500# Anillo de Hembra (RTJ)								2500# Anillo de Hembra (RTJ)							
	I.D.	O.D.	C-C	P.D.	A	B	T	OT	I.D.	O.D.	C-C	P.D.	A	B	T	OT
1	1-1/4	2-13/16	5-1/2	2	11/32	1/4	1/2	1	1-1/4	3-1/4	6	2-3/8	11/32	1/4	5/8	1-1/8
1-1/2	1-7/8	3-5/8	6-1/2	2-11/16	11/32	1/4	5/8	1-1/8	1-7/8	4-1/2	7-1/2	3-1/4	15/32	5/16	3/4	1-3/8
2	2-3/8	4-7/8	8	3-3/4	15/32	5/16	3/4	1-3/8	2-3/8	5-1/4	8-1/2	4	15/32	5/16	1	1-5/8
2-1/2	2-7/8	5-3/8	8-1/2	4-1/4	15/32	5/16	7/8	1-1/2	2-7/8	5-7/8	9-1/2	4-3/8	17/32	3/8	1-1/8	1-7/8
3	3-1/2	6-5/8	10	5-3/8	15/32	5/16	1-1/8	1-3/4	3-1/2	6-5/8	11	5	17/32	3/8	1-1/4	2
4	4-1/2	7-5/8	11	6-3/8	15/32	5/16	1-1/4	1-7/8	4-1/2	8	12-1/2	6-3/16	21/32	7/16	1-5/8	2-1/2
6	6-5/8	9-3/4	14	8-5/16	17/32	3/8	1-5/8	2-3/8	6-5/8	11	17	9	25/32	1/2	2-1/4	3-1/4
8	8-5/8	12-1/2	17-1/2	10-5/8	21/32	7/16	2	2-7/8	8-5/8	13-3/8	20	11	29/32	9/16	2-3/4	3-7/8
10	10-3/4	14-5/8	20-1/2	12-3/4	21/32	7/16	2-3/8	3-1/4	10-3/4	16-3/4	24	13-1/2	1-3/16	11/16	3-1/4	4-5/8
12	12-3/4	17-1/4	24	15	29/32	9/16	2-7/8	4	12-3/4	19-1/2	27	16	1-5/16	11/16	3-7/8	5-1/4
14	14	19-1/4	25-1/2	16-1/2	1-1/16	5/8	3-1/8	4-3/8								
16	16	21-1/2	29	18-1/2	1-3/16	11/16	3-1/2	4-7/8								
18	18	24-1/5	32-1/2	21	1-3/16	11/16	3-7/8	5-1/4								
20	20	26-1/2	35-1/2	23	1-5/16	11/16	4-1/4	5-5/8								
24	24	31-1/4	42	27-1/4	1-7/16	13/16	5	6-5/8								

Las dimensiones están en pulgadas



# WINSTON / ROYAL GUARD CORPORATION

## Bridas Ciegas - Acabado Molido y Acabado Maquinado

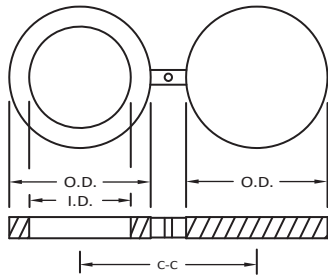


Figura 8 Ciega de espectáculo

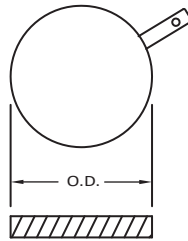


Figura 6A  
Disco Ciego

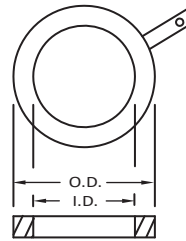


Figura 6B  
Ciego Anillo



Tamaño	150#				300#				600#			
	I.D.	O.D.	C-C	T	I.D.	O.D.	C-C	T	I.D.	O.D.	C-C	T
1/2	5/8	1-3/4	4	1/8	5/8	2	4-1/2	1/4	5/8	2	4-1/2	1/4
3/4	7/8	2-1/8	4	1/8	7/8	2-1/2	4-1/2	1/4	7/8	2-1/2	4-1/2	1/4
1	1-1/8	2-1/2	4-1/2	1/8	1-1/8	2-3/4	5	1/4	1	2-3/4	5	1/4
1-1/4	1-5/8	2-7/8	5	1/4	1-5/8	3-1/8	5-1/2	1/4	1-3/8	3-1/8	5-1/2	3/8
1-1/2	1-7/8	3-1/4	5-1/2	1/4	1-7/8	3-5/8	6	1/4	1-5/8	3-5/8	6	3/8
2	2-3/8	4	6	1/4	2-3/8	4-1/4	6-1/2	3/8	2-1/8	4-1/4	6-1/2	3/8
2-1/2	2-7/8	4-3/4	7	1/4	2-7/8	5	7-1/2	3/8	2-5/8	5	7-1/2	1/2
3	3-1/2	5-1/4	8	1/4	3-1/2	5-3/4	8	3/8	3-1/4	5-3/4	8	1/2
3-1/2	4	6-1/4	9	3/8	4	6-3/8	9-1/2	1/2	3-3/4	6-1/4	10	5/8
4	4-1/2	6-3/4	9-1/2	3/8	4-1/2	7	10	1/2	4-1/4	7-1/2	11	5/8
5	5-1/2	7-5/8	10-1/2	3/8	5-1/2	8-3/8	12-1/2	5/8	5-3/8	9-3/8	13	3/4
6	6-5/8	8-5/8	11-1/2	1/2	6-5/8	9-3/4	13	5/8	6-3/8	10-3/8	14	7/8
8	8-5/8	10-7/8	14	1/2	8-5/8	12	15	7/8	8-3/8	12-1/2	16	1-1/8
10	10-3/4	13-1/4	17	5/8	10-3/4	14-1/8	17-1/2	1	10-3/8	15-5/8	20	1-3/8
12	12-3/4	16	19	3/4	12-3/4	16-1/2	21	1-1/8	12-3/8	17-5/8	22	1-5/8
14	14	17-5/8	21	3/4	14	19	23	1-1/4	13-5/8	19-1/4	24	1-3/4
16	16	20-1/8	24	7/8	16	21-1/8	26	1-1/2	15-5/8	22-1/8	27	2
18	18	21-1/2	26	1	18	23-3/8	28	1-5/8	17-5/8	24	29	2-1/8
20	20	23-3/4	28	1-1/8	20	25-5/8	31	1-3/4	19-1/2	26-3/4	32	2-1/2
24	24	28-1/8	33	1-1/4	24	30-3/8	36	2	23-1/2	31	36	2-7/8

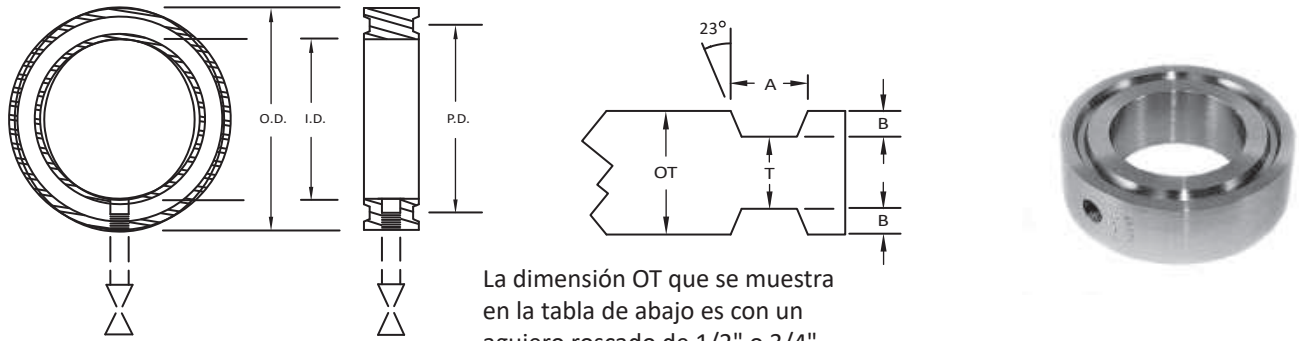
Tamaño	900#				1500#				2500#			
	I.D.	O.D.	C-C	T	I.D.	O.D.	C-C	T	I.D.	O.D.	C-C	T
1/2	5/8	2-3/8	5	1/4	5/8	2-3/8	5	1/4	5/8	2-5/8	5-1/2	3/8
3/4	7/8	2-5/8	5	1/4	7/8	2-5/8	5	3/8	7/8	2-7/8	5-1/2	3/8
1	1	3	5-1/2	1/4	1	3	5-1/2	3/8	1	3-1/4	5-3/4	3/8
1-1/4	1-3/8	3-3/8	6	3/8	1-3/8	3-3/8	6	3/8	1-3/8	4	7	1/2
1-1/2	1-5/8	3-3/4	6-1/2	3/8	1-5/8	3-3/4	6-1/2	1/2	1-5/8	4-1/2	7-1/4	5/8
2	2-1/8	5-1/2	8	1/2	2	5-1/2	8	1/2	2	5-5/8	9	5/8
2-1/2	2-5/8	6-3/8	9	1/2	2-1/2	6-3/8	9	5/8	2-3/8	6-1/2	10	3/4
3	3-1/4	6-1/2	9	5/8	3	6-3/4	10	3/4	3	7-5/8	11-1/2	7/8
3-1/2												
4	4-1/4	8	11	3/4	4	8-1/8	11-1/2	7/8	4	9-1/8	12-1/2	1-1/8
5	5-1/4	9-5/8	15	7/8	5	9-7/8	15	1-1/8	5	10-7/8	17	1-3/8
6	6-3/8	11	15	1	6	11	15	1-3/8	6	12-3/8	18	1-5/8
8	8-3/8	14	18	1-3/8	8	13-3/4	18-1/2	1-5/8	7-7/8	15-1/8	20-1/2	2-1/8
10	10-3/8	17	21	1-5/8	10	17	22	2	9-3/4	18-5/8	25	2-5/8
12	12-3/8	19-1/2	24	1-7/8	12	20-3/8	25-1/2	2-3/8	11-3/8	21-1/2	28	3-1/8
14	13-5/8	20-3/8	25	2-1/8	13-1/8	22-5/8	28-1/2	2-5/8				
16	15-5/8	22-1/2	27-1/2	2-3/8	15	25-1/8	31	3				
18	17-5/8	25	30	2-5/8	16-7/8	27-5/8	34	3-3/8				
20	19-1/2	27-3/8	33	2-7/8	18-7/8	29-5/8	36-3/4	3-3/4				
24	23-1/2	23-1/2	39-1/2	3-1/2	22-5/8	35-3/8	43-1/4	4-3/8				

Las dimensiones están en pulgadas



# WINSTON / ROYAL GUARD CORPORATION

## Figura 7 Conjunta de Anillo de Hembra (RTJ)



La dimensión OT que se muestra en la tabla de abajo es con un agujero roscado de 1/2" o 3/4".

Tamaño	150# Anillo de Hembra (RTJ)								300# Anillo de Hembra (RTJ)							
	I.D.	O.D.	P.D.	A	B	T	OT	I.D.	O.D.	P.D.	A	B	T	OT		
1	1-1/8	2-1/2	1-7/8	11/32	1/4	1-5/8	2-1/8	1-1/4	2-3/4	2	11/32	1/4	1-5/8	2-1/8		
1-1/2	1-3/4	3-1/4	2-9/16	11/32	1/4	1-5/8	2-1/8	1-7/8	3-9/16	2-11/16	11/32	1/4	1-5/8	2-1/8		
2	2-1/4	4	3-1/4	11/32	1/4	1-5/8	2-1/8	2-3/8	4-1/4	3-1/4	15/32	5/16	1-5/8	2-1/4		
2-1/2	2-5/8	4-3/4	4	11/32	1/4	1-5/8	2-1/8	2-7/8	5	4	15/32	5/16	1-5/8	2-1/4		
3	3-1/4	5-1/4	4-1/2	11/32	1/4	1-5/8	2-1/8	3-1/2	5-3/4	4-7/8	15/32	5/16	1-5/8	2-1/4		
4	4-1/4	6-3/4	5-7/8	11/32	1/4	1-5/8	2-1/8	4-1/2	6-7/8	5-7/8	15/32	5/16	1-5/8	2-1/4		
6	6-1/4	8-5/8	7-5/8	11/32	1/4	1-5/8	2-1/8	6-5/8	9-1/2	8-5/16	15/32	5/16	1-5/8	2-1/4		
8	8-1/4	10-7/8	9-3/4	11/32	1/4	1-5/8	2-1/8	8-5/8	11-7/8	10-5/8	15/32	5/16	1-5/8	2-1/4		
10	10-1/4	13-1/4	12	11/32	1/4	1-5/8	2-1/8	10-3/4	14	12-3/4	15/32	5/16	1-5/8	2-1/4		
12	12-1/4	16	15	11/32	1/4	1-5/8	2-1/8	12-3/4	16-1/4	15	15/32	5/16	1-5/8	2-1/4		
14	13-1/2	17-5/8	15-5/8	11/32	1/4	1-5/8	2-1/8	14	18	16-1/2	15/32	5/16	1-5/8	2-1/4		
16	15-1/2	20-1/8	17-7/8	11/32	1/4	1-5/8	2-1/8	16	20	18-1/2	15/32	5/16	1-5/8	2-1/4		
18	18-1/2	21-1/2	20-3/8	11/32	1/4	1-5/8	2-1/8	18	22-5/8	21	15/32	5/16	1-5/8	2-1/4		
20	20-1/2	23-3/4	22	11/32	1/4	1-5/8	2-1/8	20	25	23	17/32	3/8	1-5/8	2-3/8		
24	24-1/2	28-1/8	26-1/2	11/32	1/4	1-5/8	2-1/8	24	29-1/4	27-1/4	21/32	7/16	1-5/8	2-1/2		

Tamaño	600# Anillo de Hembra (RTJ)								900# Anillo de Hembra (RTJ)							
	I.D.	O.D.	P.D.	A	B	T	OT	I.D.	O.D.	P.D.	A	B	T	OT		
1	1-1/4	2-3/4	2	11/32	1/4	1-5/8	2-1/8	1-1/4	2-3/8	2	11/32	1/4	1-5/8	2-1/8		
1-1/2	1-7/8	3-9/16	2-11/16	11/32	1/4	1-5/8	2-1/8	1-7/8	3-5/8	2-11/16	11/32	1/4	1-5/8	2-1/8		
2	2-3/8	4-1/4	3-1/4	15/32	5/16	1-5/8	2-1/4	2-3/8	4-7/8	3-3/4	15/32	5/16	1-5/8	2-1/4		
2-1/2	2-1/2	5	4	15/32	5/16	1-5/8	2-1/4	2-7/8	5-3/8	4-1/4	15/32	5/16	1-5/8	2-1/4		
3	3-1/2	5-3/4	4-7/8	15/32	5/16	1-5/8	2-1/4	3-1/2	6-1/8	4-7/8	15/32	5/16	1-5/8	2-1/4		
4	4-1/2	6-7/8	5-7/8	15/32	5/16	1-5/8	2-1/4	4-1/2	7-1/8	5-7/8	15/32	5/16	1-5/8	2-1/4		
6	6-5/8	9-1/2	8-5/16	15/32	5/16	1-5/8	2-1/4	6-5/8	9-1/2	8-5/16	15/32	5/16	1-5/8	2-1/4		
8	8-5/8	11-7/8	10-5/8	15/32	5/16	1-5/8	2-1/4	8-5/8	12-1/8	10-5/8	15/32	5/16	1-5/8	2-1/4		
10	10-3/4	14	12-3/4	15/32	5/16	1-5/8	2-1/4	10-3/4	14-1/4	12-3/4	15/32	5/16	1-5/8	2-1/4		
12	12-3/4	16-1/4	15	15/32	5/16	1-5/8	2-1/4	12-3/4	16-1/2	15	15/32	5/16	1-5/8	2-1/4		
14	14	18	16-1/2	15/32	5/16	1-5/8	2-1/4	14	18-3/8	16-1/2	21/32	7/16	1-5/8	2-1/2		
16	16	20	18-1/2	15/32	5/16	1-5/8	2-1/4	16	20-5/8	18-1/2	21/32	7/16	1-5/8	2-1/4		
18	18	22-5/8	21	15/32	5/16	1-5/8	2-1/4	18	23-3/8	21	25/32	1/2	1-5/8	2-5/8		
20	20	25	23	17/32	3/8	1-5/8	2-3/8	20	25-1/8	23	25/32	1/2	1-5/8	2-5/8		
24	24	29-1/2	27-1/4	21/32	7/16	1-5/8	2-1/2	24	30-3/8	27-1/4	1-1/16	5/8	1-5/8	2-7/8		

Tamaño	1500# Anillo de Hembra (RTJ)								2500# Anillo de Hembra (RTJ)							
	I.D.	O.D.	P.D.	A	B	T	OT	I.D.	O.D.	P.D.	A	B	T	OT		
1	1-1/4	2-13/16	2	11/32	1/4	1-5/8	2-1/8	1-1/4	3-1/4	2-3/8	11/32	1/4	1-5/8	2-1/8		
1-1/2	1-7/8	3-5/8	2-11/16	11/32	1/4	1-5/8	2-1/8	1-7/8	4-1/2	3-1/4	15/32	5/16	1-5/8	2-1/4		
2	2-3/8	4-7/8	3-3/4	15/32	5/16	1-5/8	2-1/4	2-3/8	5-1/4	4	15/32	5/16	1-5/8	2-1/4		
2-1/2	2-7/8	5-3/8	4-1/4	15/32	5/16	1-5/8	2-1/4	2-7/8	5-7/8	4-3/8	17/32	3/8	1-5/8	2-3/8		
3	3-1/2	6-5/8	5-3/8	15/32	5/16	1-5/8	2-1/4	3-1/2	6-5/8	5	17/32	3/8	1-5/8	2-3/8		
4	4-1/2	7-5/8	6-3/8	15/32	5/16	1-5/8	2-1/4	4-1/2	8	6-3/16	21/32	7/16	1-5/8	2-1/2		
6	6-5/8	9-3/4	8-5/16	15/32	3/8	1-5/8	2-3/8	6-5/8	11	9	25/32	1/2	1-5/8	2-5/8		
8	8-5/8	12-1/2	10-5/8	21/32	7/16	1-5/8	2-1/2	8-5/8	13-3/8	11	29/32	9/16	1-5/8	2-3/4		
10	10-3/4	14-5/8	12-3/4	21/32	7/16	1-5/8	2-1/2	10-3/4	16-3/4	13-1/2	1-3/16	11/16	1-5/8	3		
12	12-3/4	17-1/4	15	29/32	9/16	1-5/8	2-3/4	12-3/4	19-1/2	16	1-5/16	11/16	1-5/8	3		
14	14	19-1/4	16-1/2	1-1/16	5/8	1-5/8	2-7/8									
16	16	21-1/2	18-1/2	1-3/16	11/16	1-5/8	3									
18	18	24-1/8	21	1-3/16	11/16	1-5/8	3									
20	20	26-1/2	23	1-5/16	11/16	1-5/8	3									
24	24	31-1/4	27-1/4	1-7/16	13/16	1-5/8	3-1/4									

Las dimensiones están en pulgadas



# WINSTON / ROYAL GUARD CORPORATION

## Figura 7 Anillos de Goteo con Acabado Maquinado

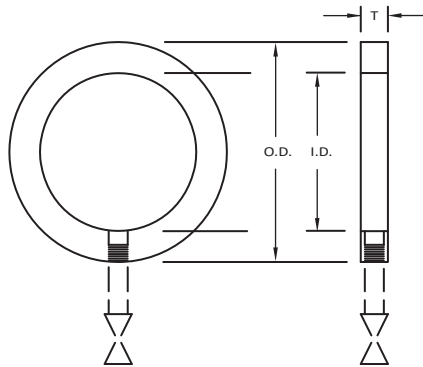


Figura 7 Anillos de Goteo con Acabado Maquinado



La dimensión "T" que se muestra en la tabla de abajo es con un agujero roscado de 1/2" o 3/4" o 1".

Tamaño	150#				300#				600#			
	I.D.	O.D.	T - con 1/2" y 3/4"	T - con 1"	I.D.	O.D.	T - con 1/2" y 3/4"	T - con 1"	I.D.	O.D.	T - con 1/2" y 3/4"	T - con 1"
1/2	5/8	1-3/4	1-1/2	2-1/2	5/8	2	1-1/2	2-1/2	5/8	2	1-1/2	2-1/2
3/4	7/8	2-1/8	1-1/2	2-1/2	7/8	2-1/2	1-1/2	2-1/2	7/8	2-1/2	1-1/2	2-1/2
1	1-1/8	2-1/2	1-1/2	2-1/2	1-1/8	2-3/4	1-1/2	2-1/2	1-1/8	2-3/4	1-1/2	2-1/2
1-1/4	1-3/8	2-7/8	1-1/2	2-1/2	1-5/8	3-1/8	1-1/2	2-1/2	1-5/8	3-1/8	1-1/2	2-1/2
1-1/2	1-3/4	3-1/4	1-1/2	2-1/2	1-3/4	3-5/8	1-1/2	2-1/2	1-3/4	3-5/8	1-1/2	2-1/2
2	2-1/4	4	1-1/2	2-1/2	2-1/4	4-1/4	1-1/2	2-1/2	2-1/4	4-1/4	1-1/2	2-1/2
2-1/2	2-5/8	4-3/4	1-1/2	2-1/2	2-5/8	5	1-1/2	2-1/2	2-5/8	5	1-1/2	2-1/2
3	3-1/4	5-1/4	1-1/2	2-1/2	3-1/4	5-3/4	1-1/2	2-1/2	3-1/4	5-3/4	1-1/2	2-1/2
4	4-1/4	6-3/4	1-1/2	2-1/2	4-1/4	7	1-1/2	2-1/2	4-1/4	7-1/2	1-1/2	2-1/2
5	5-1/4	7-5/8	1-1/2	2-1/2	5-1/4	8-3/8	1-1/2	2-1/2	5-1/4	9-3/8	1-1/2	2-1/2
6	6-1/4	8-5/8	1-1/2	2-1/2	6-1/4	9-3/4	1-1/2	2-1/2	6-1/4	10-3/8	1-1/2	2-1/2
8	8-1/4	10-7/8	1-1/2	2-1/2	8-1/4	12	1-1/2	2-1/2	8-1/4	12-1/2	1-1/2	2-1/2
10	10-1/4	13-1/4	1-1/2	2-1/2	10-1/4	14-1/8	1-1/2	2-1/2	10-1/4	15-5/8	1-1/2	2-1/2
12	12-1/4	16	1-1/2	2-1/2	12-1/4	16-1/2	1-1/2	2-1/2	12-1/4	17-5/8	1-1/2	2-1/2
14	13-1/2	17-5/8	1-1/2	2-1/2	13-1/2	19	1-1/2	2-1/2	13-1/2	19-1/4	1-1/2	2-1/2
16	15-1/2	20-1/8	1-1/2	2-1/2	15-1/2	21-1/8	1-1/2	2-1/2	15-1/2	22-1/8	1-1/2	2-1/2
18	18-1/2	21-1/2	1-1/2	2-1/2	18-1/2	23-3/8	1-1/2	2-1/2	18-1/2	24	1-1/2	2-1/2
20	20-1/2	23-3/4	1-1/2	2-1/2	20-1/2	25-5/8	1-1/2	2-1/2	20-1/2	26-3/4	1-1/2	2-1/2
24	24-1/2	28-1/8	1-1/2	2-1/2	24-1/2	30-3/8	1-1/2	2-1/2	24-1/2	31	1-1/2	2-1/2

Tamaño	900#				1500#			
	I.D.	O.D.	T - con 1/2" y 3/4"	T - con 1"	I.D.	O.D.	T - con 1/2" y 3/4"	T - con 1"
1/2	5/8	2-3/8	1-1/2	2-1/2	5/8	2-3/8	1-1/2	2-1/2
3/4	7/8	2-5/8	1-1/2	2-1/2	7/8	2-5/8	1-1/2	2-1/2
1	1-1/8	3	1-1/2	2-1/2	1-1/8	3	1-1/2	2-1/2
1-1/4	1-5/8	3-3/8	1-1/2	2-1/2	1-5/8	3-3/8	1-1/2	2-1/2
1-1/2	1-3/4	3-3/4	1-1/2	2-1/2	1-3/4	3-3/4	1-1/2	2-1/2
2	2-1/4	5-1/2	1-1/2	2-1/2	2-1/4	5-1/2	1-1/2	2-1/2
2-1/2	2-5/8	6-3/8	1-1/2	2-1/2	2-5/8	6-3/8	1-1/2	2-1/2
3	3-1/4	6-1/2	1-1/2	2-1/2	3-1/4	6-3/4	1-1/2	2-1/2
4	4-1/4	8	1-1/2	2-1/2	4-1/4	8-1/8	1-1/2	2-1/2
5	5-1/4	9-5/8	1-1/2	2-1/2	5-1/4	9-7/8	1-1/2	2-1/2
6	6-1/4	11	1-1/2	2-1/2	6-1/4	11	1-1/2	2-1/2
8	8-1/4	14	1-1/2	2-1/2	8-1/4	13-3/4	1-1/2	2-1/2
10	10-1/4	17	1-1/2	2-1/2	10-1/4	17	1-1/2	2-1/2
12	12-1/4	19-1/2	1-1/2	2-1/2	12-1/4	20-3/8	1-1/2	2-1/2
14	13-1/2	20-3/8	1-1/2	2-1/2	13-1/2	22-5/8	1-1/2	2-1/2
16	15-1/2	22-1/2	1-1/2	2-1/2	15-1/2	25-1/8	1-1/2	2-1/2
18	18-1/2	25	1-1/2	2-1/2	18-1/2	27-5/8	1-1/2	2-1/2
20	20-1/2	27-3/8	1-1/2	2-1/2	20-1/2	29-5/8	1-1/2	2-1/2
24	24-1/2	32-7/8	1-1/2	2-1/2	24-1/2	35-3/8	1-1/2	2-1/2

Las dimensiones están en pulgadas

Las especificaciones están sujetas a cambios sin previo aviso. 5-19-2020

## WINSTON / ROYAL GUARD CORPORATION

P. O. Box 1145 • White Oak, Texas 75693 USA

Teléfono (800) 527-8465 • (903) 757-7341 • Fax (903) 759-6986

Winston-RoyalGuard.com • e-mail: sales@winston-royalguard.com

Copyright © 2020 Winston/Royal Guard Corporation. Todos los derechos reservados